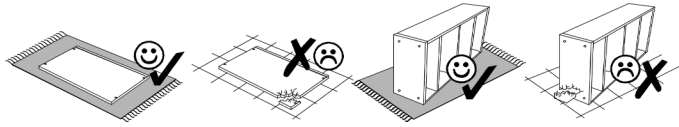
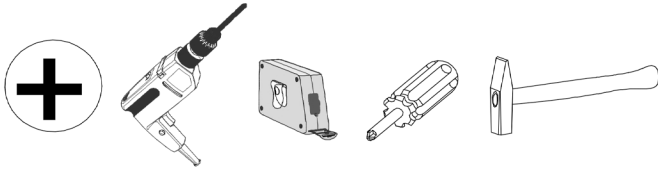
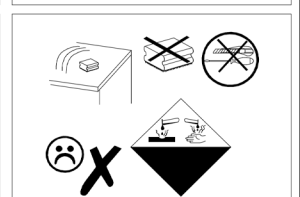
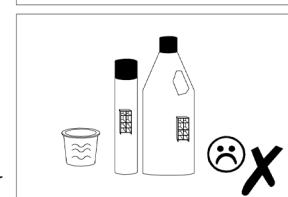
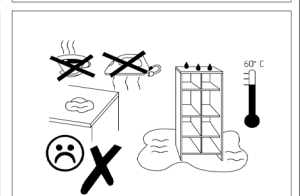
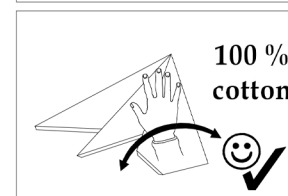
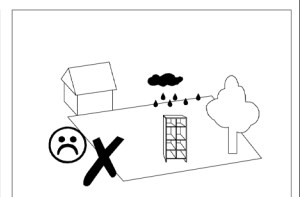
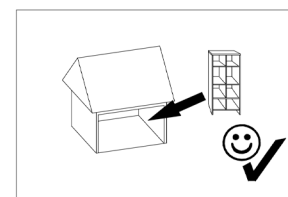
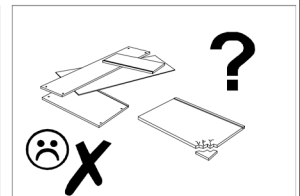
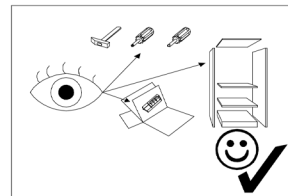
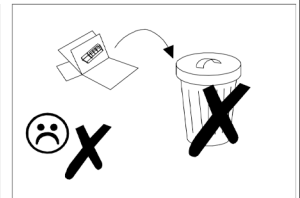
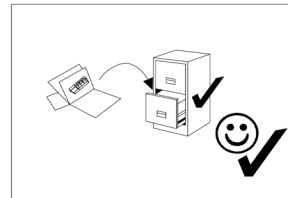
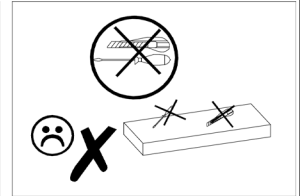
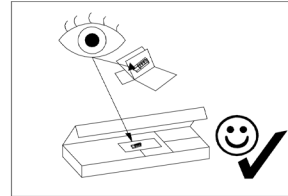
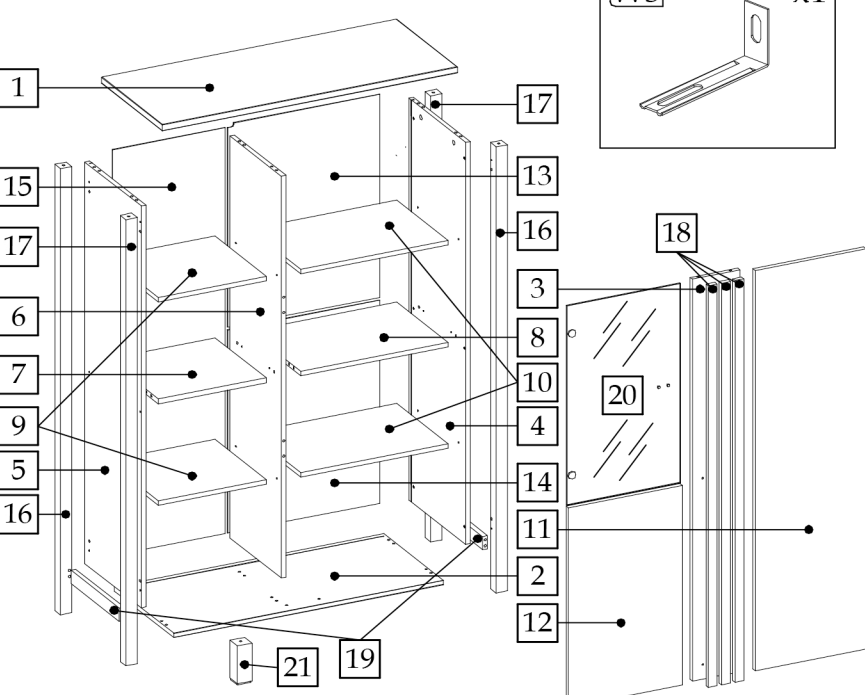
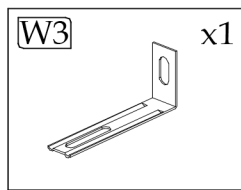
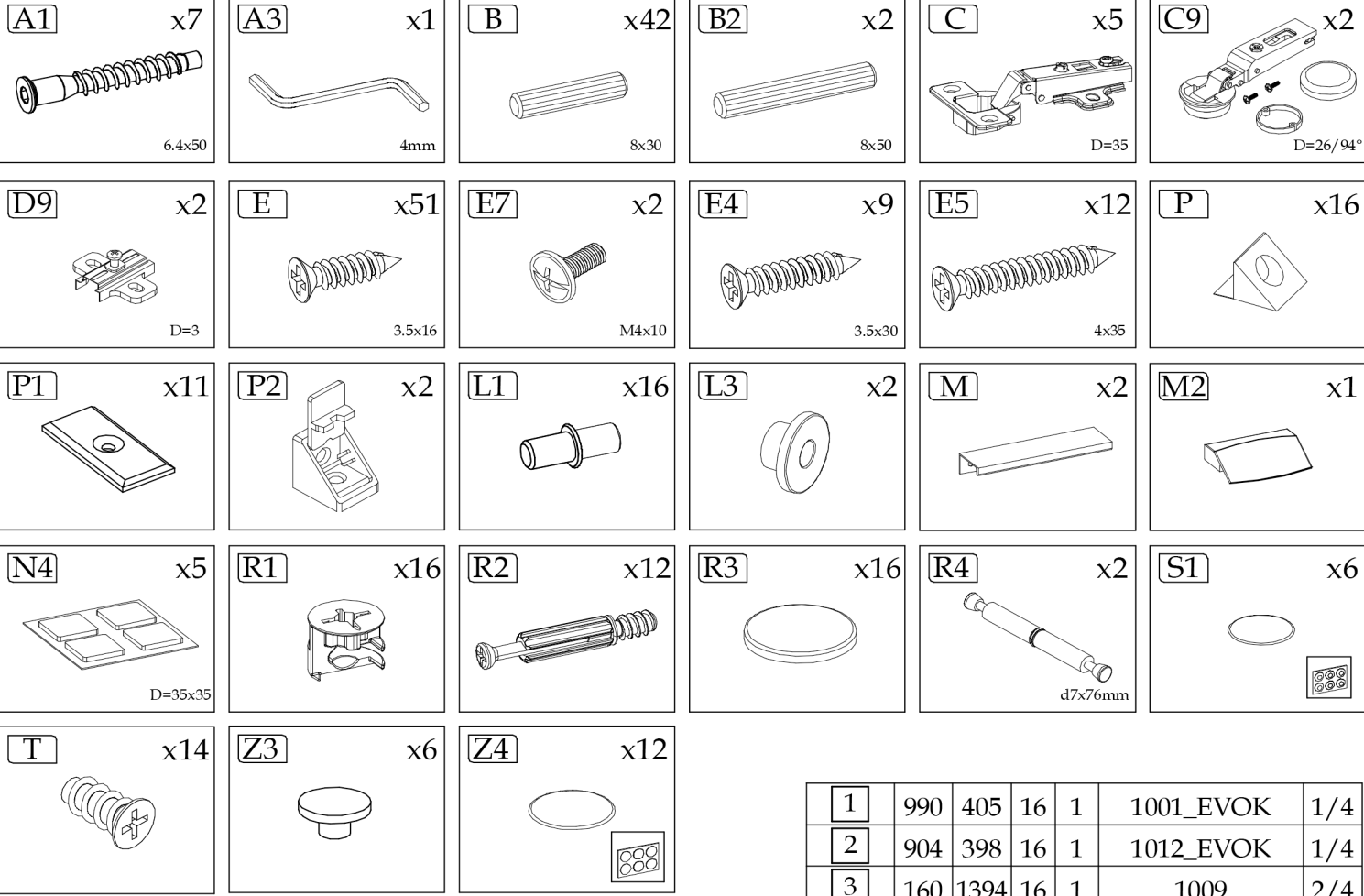


HELIO 2D1W

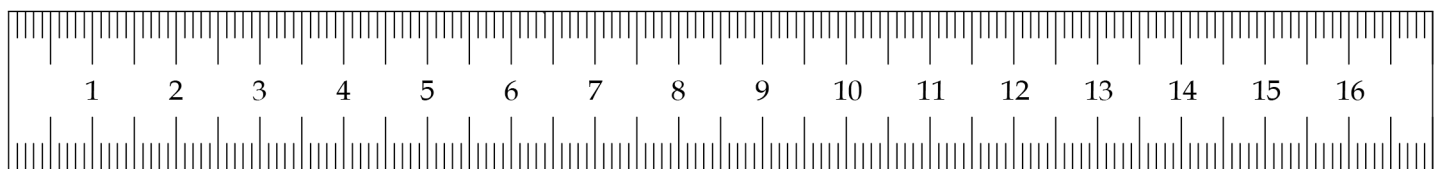
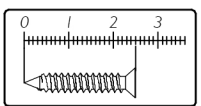


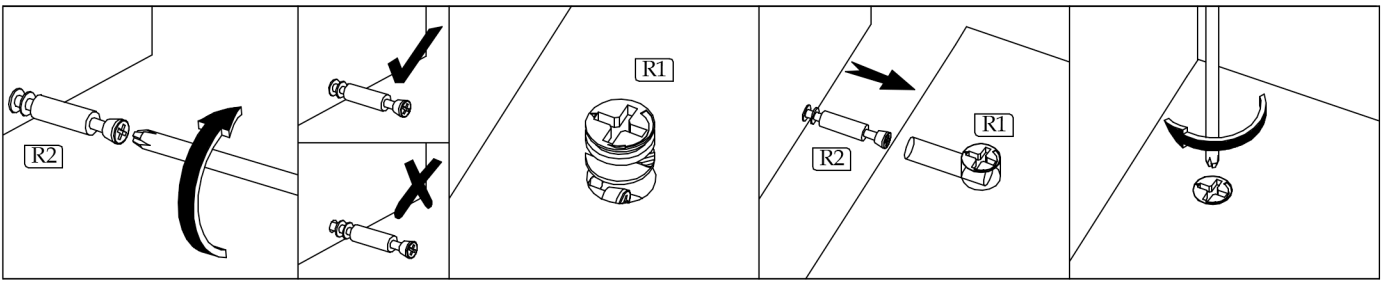
120 min



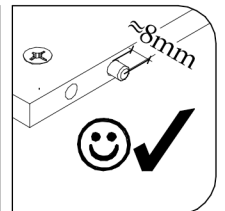
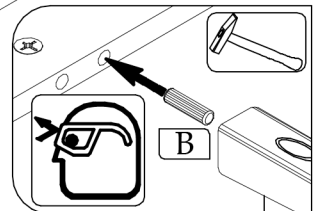
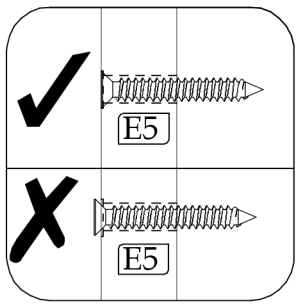
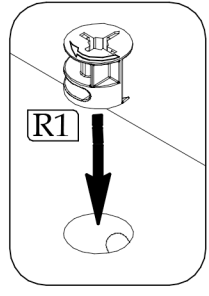
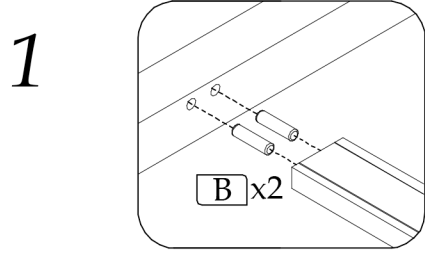
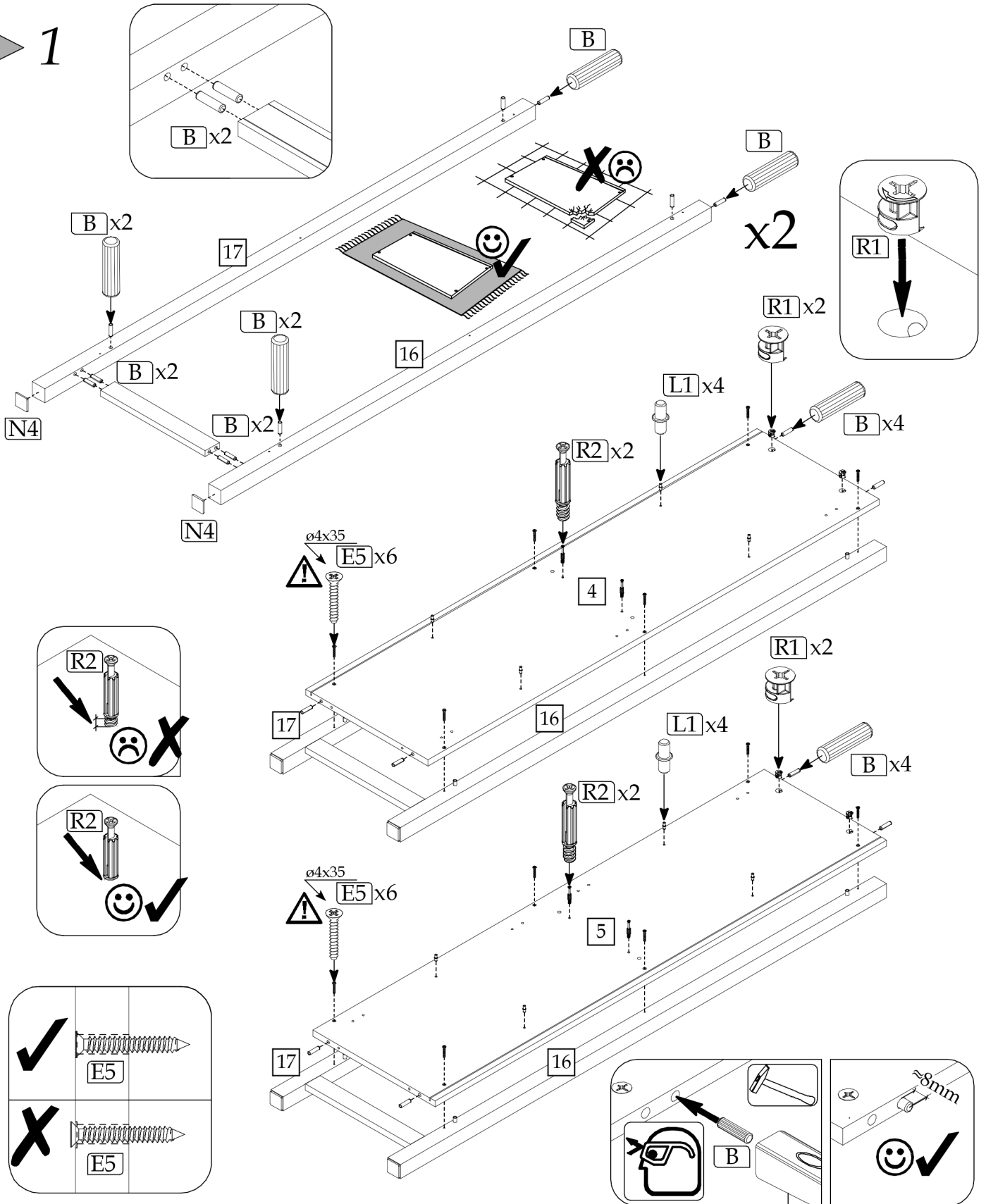


| | | | | | | |
|----|------|------|----|---|-----------------|-----|
| 1 | 990 | 405 | 16 | 1 | 1001_EVOK | 1/4 |
| 2 | 904 | 398 | 16 | 1 | 1012_EVOK | 1/4 |
| 3 | 160 | 1394 | 16 | 1 | 1009 | 2/4 |
| 4 | 1394 | 378 | 16 | 1 | 1010 | 2/4 |
| 5 | 1394 | 378 | 16 | 1 | 1011 | 2/4 |
| 6 | 1394 | 344 | 16 | 1 | 1017 | 2/4 |
| 7 | 362 | 343 | 16 | 1 | 1014 | 2/4 |
| 8 | 494 | 343 | 16 | 1 | 1018 | 2/4 |
| 9 | 362 | 343 | 16 | 2 | N/A | 1/4 |
| 10 | 494 | 343 | 16 | 2 | N/A | 2/4 |
| 11 | 1388 | 372 | 16 | 1 | 1024 | 2/4 |
| 12 | 692 | 382 | 16 | 1 | 1026 | 1/4 |
| 13 | 704 | 509 | 3 | 1 | 1021_v | 2/4 |
| 14 | 704 | 509 | 3 | 1 | N/A | 2/4 |
| 15 | 1408 | 377 | 3 | 1 | N/A | 2/4 |
| 16 | 1433 | 38 | 38 | 2 | EVOK_1530x38_T1 | 3/4 |
| 17 | 1433 | 38 | 38 | 2 | EVOK_1530x38_T2 | 3/4 |
| 18 | 1394 | 30 | 16 | 3 | P16_1394x30x16 | 2/4 |
| 19 | 324 | 45 | 16 | 2 | P16_324x45x16 | 2/4 |
| 20 | 692 | 382 | 4 | 1 | Glass | 4/4 |
| 21 | 120 | 38 | 38 | 1 | EVOK_120x38x38 | 1/4 |

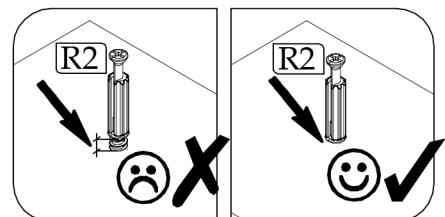
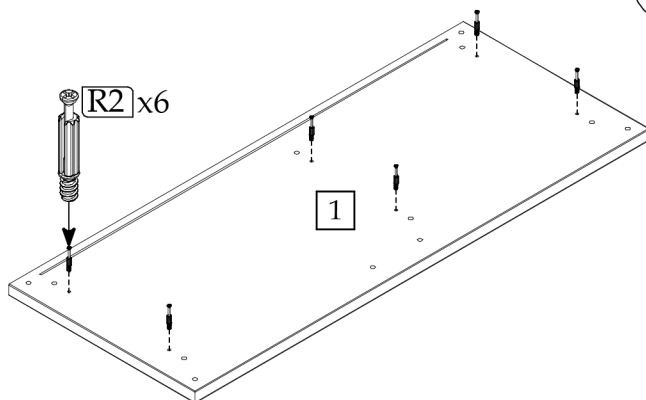
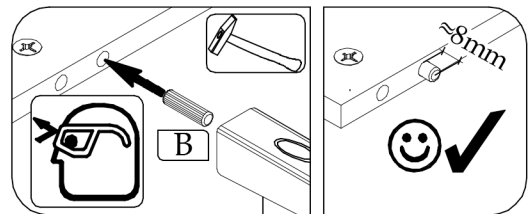
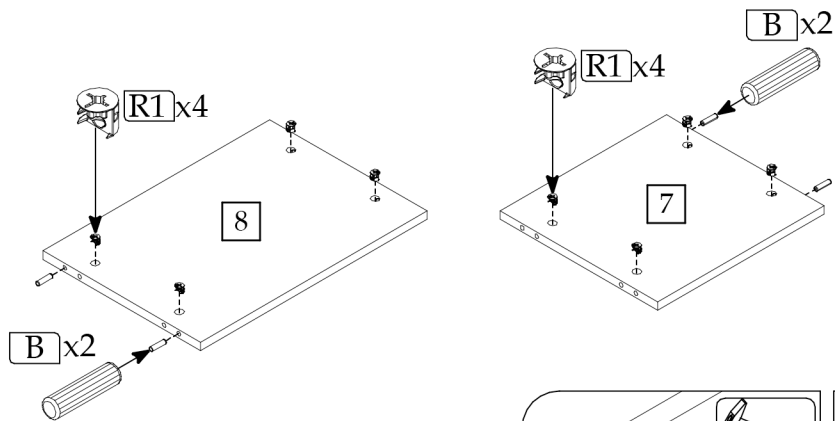
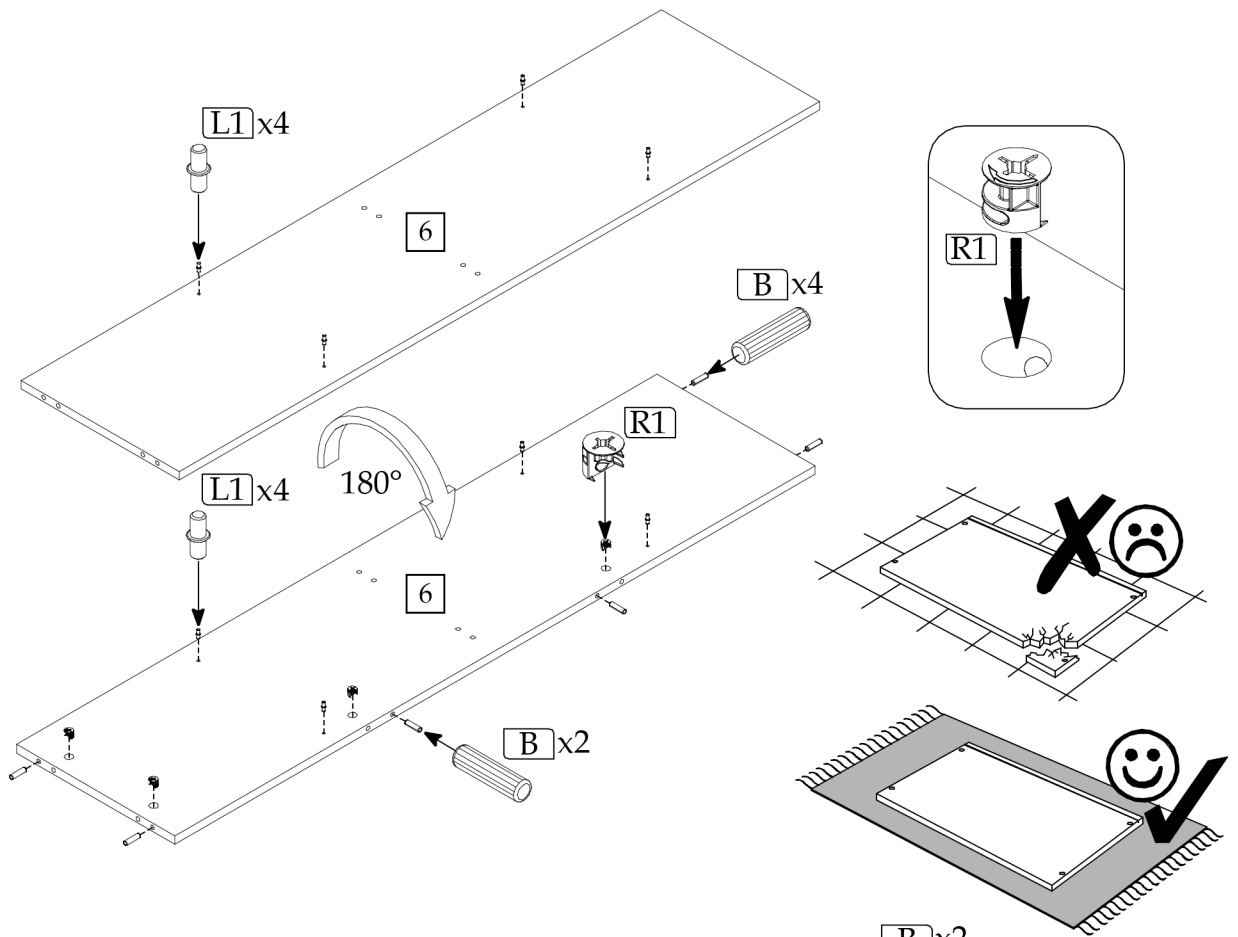




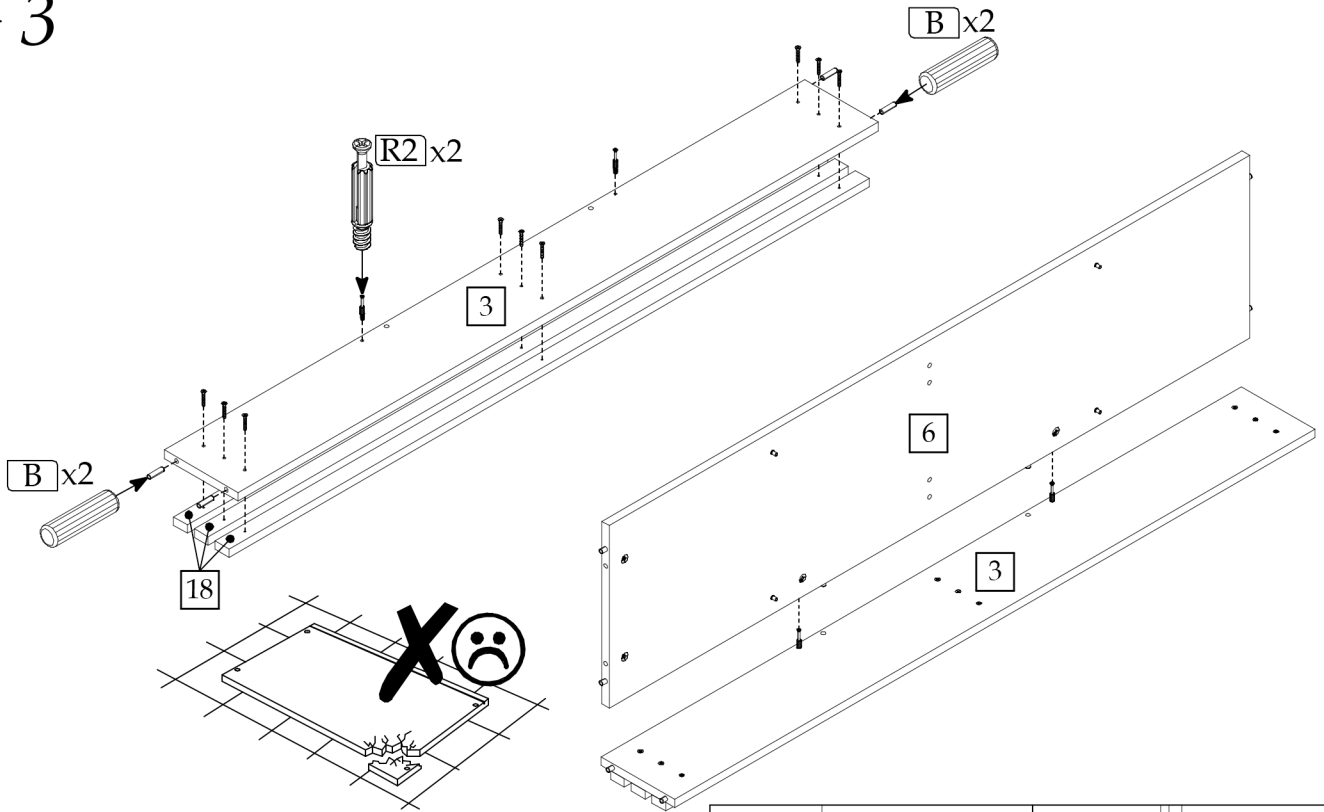
▶ 1



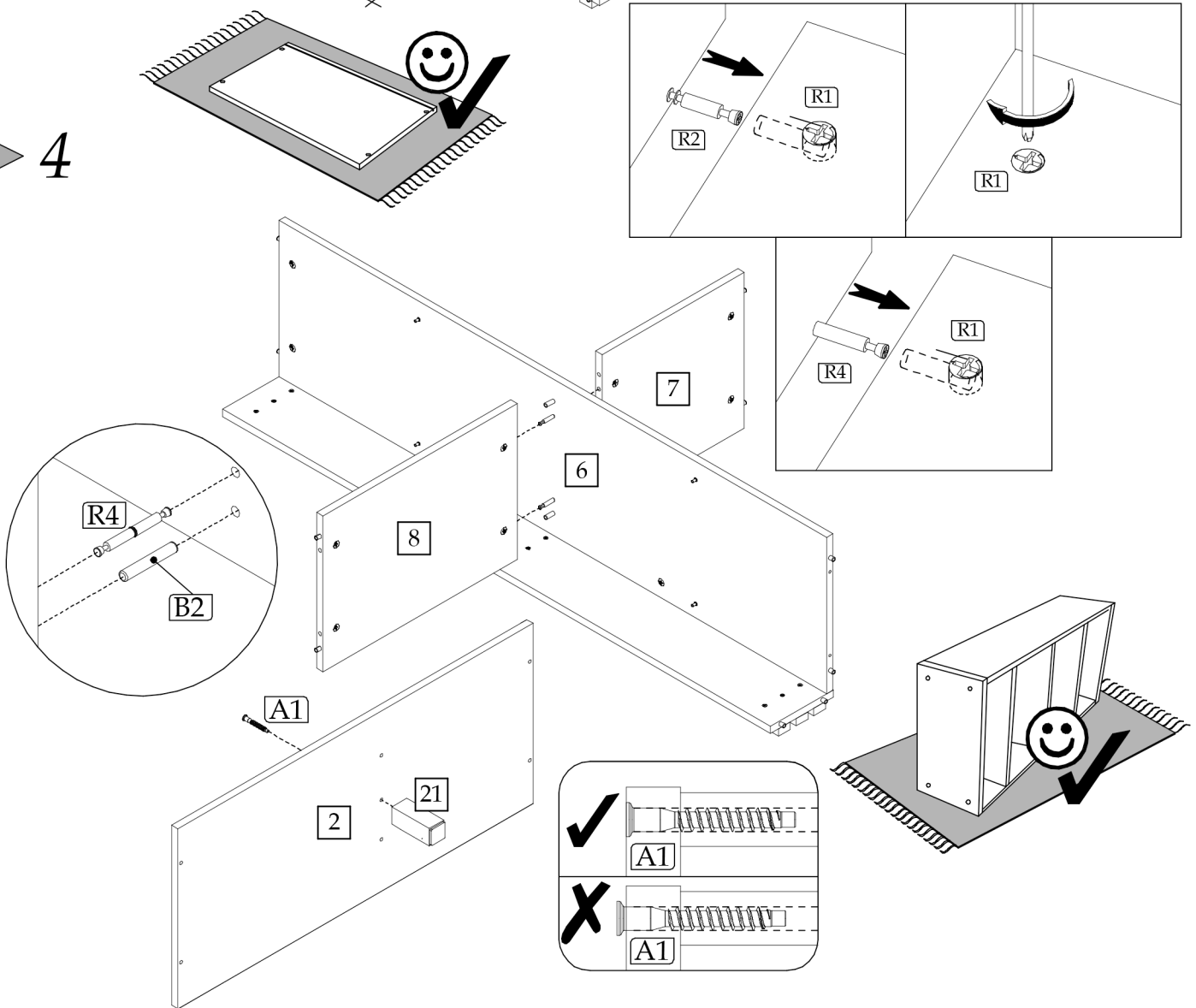
▶ 2



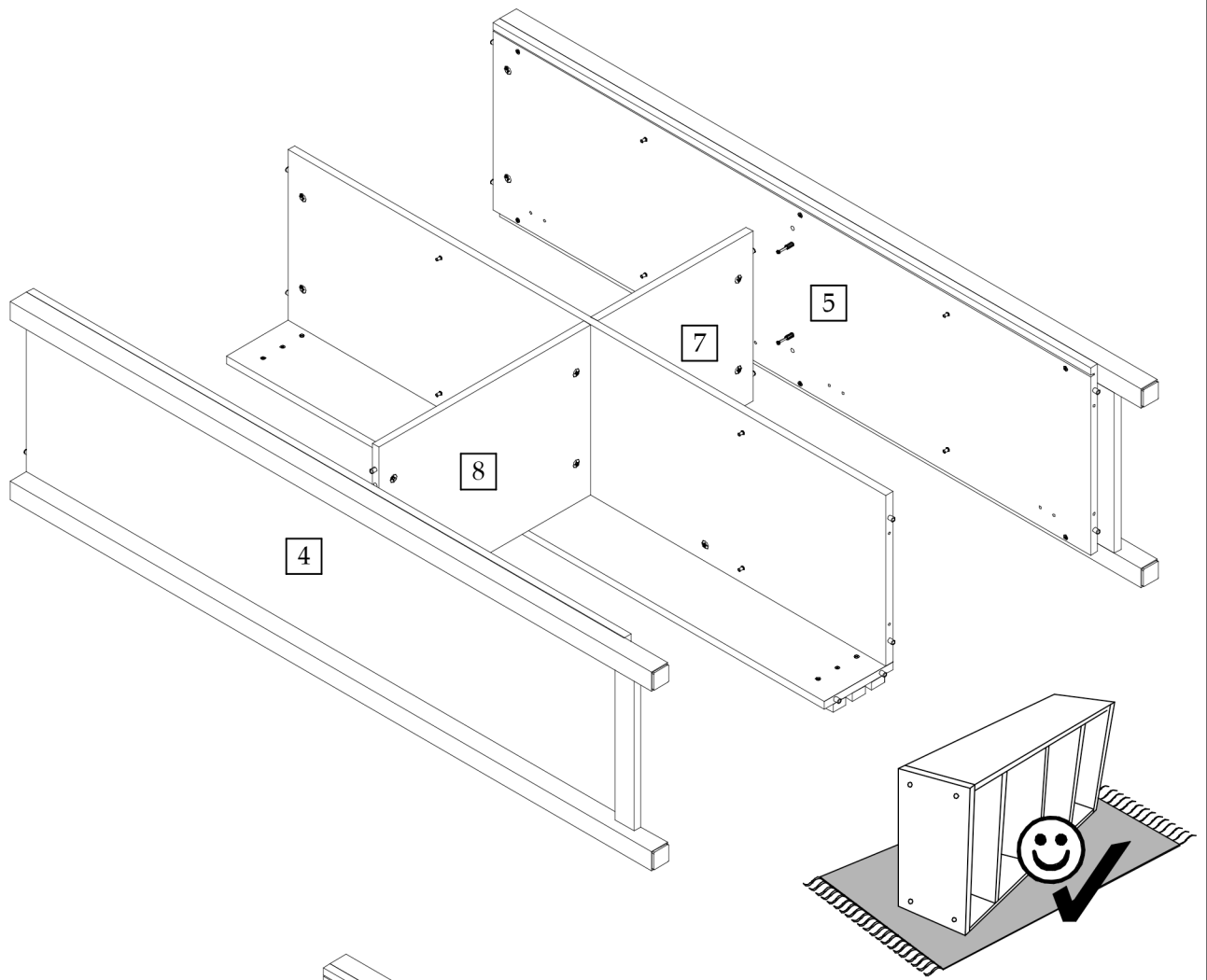
▶ 3



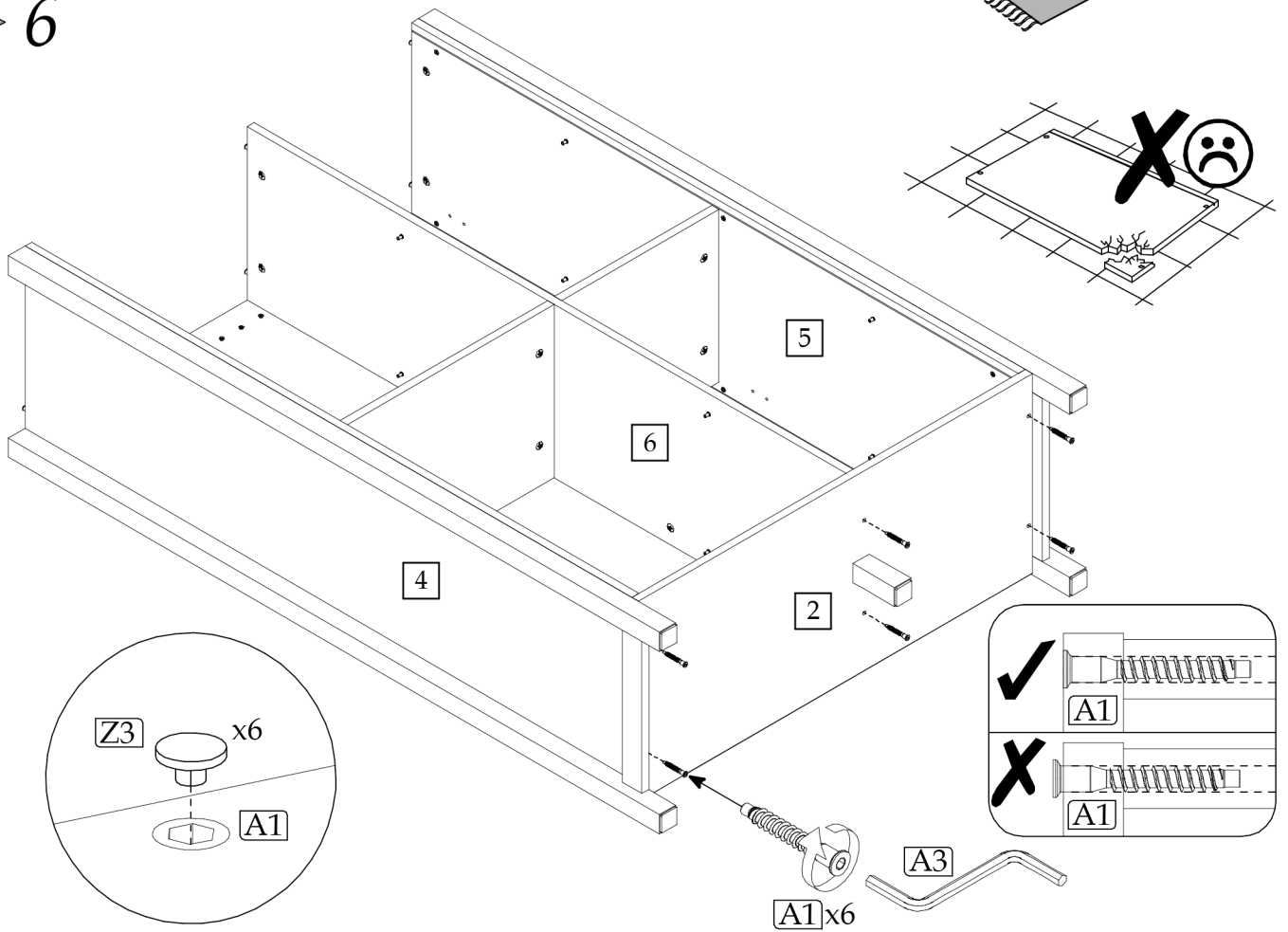
▶ 4



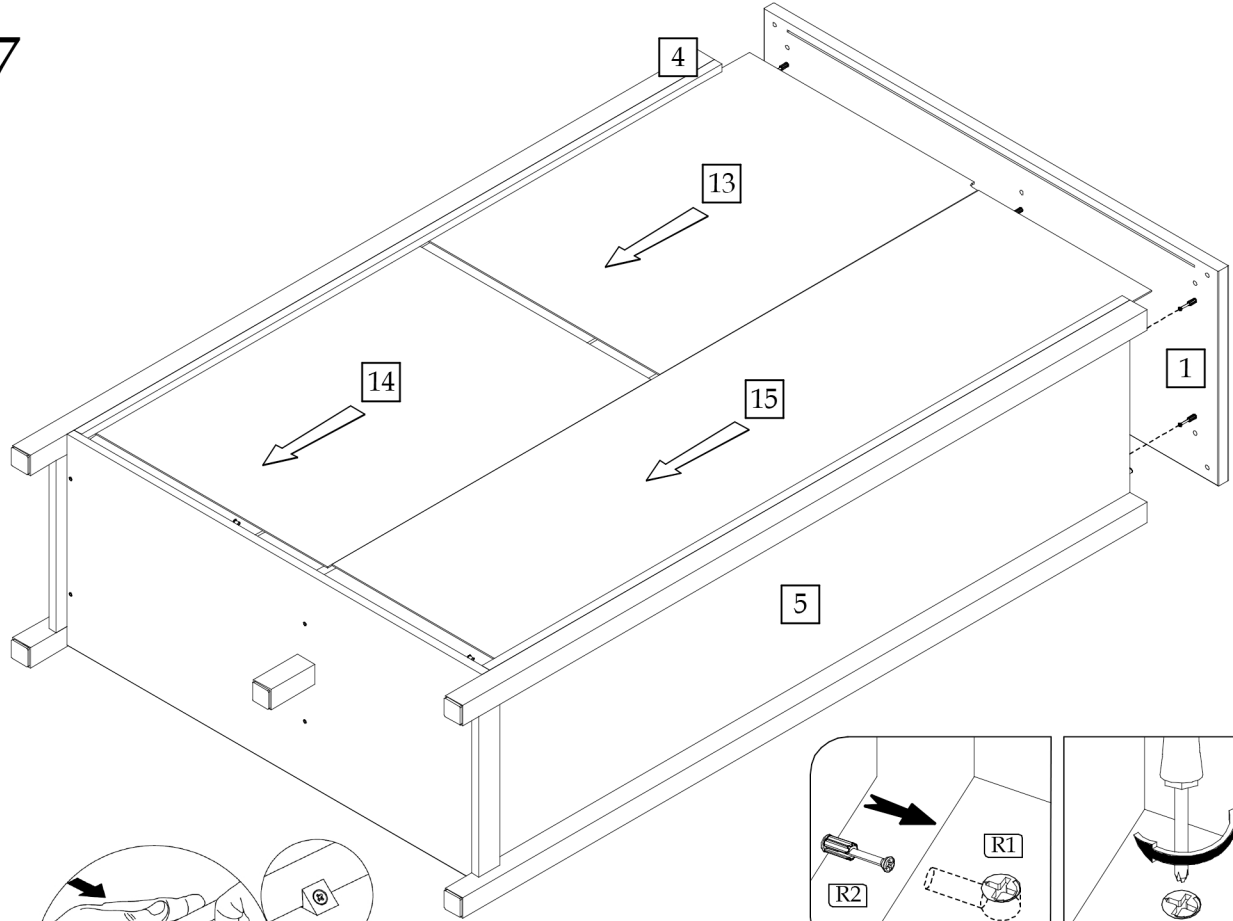
▶ 5



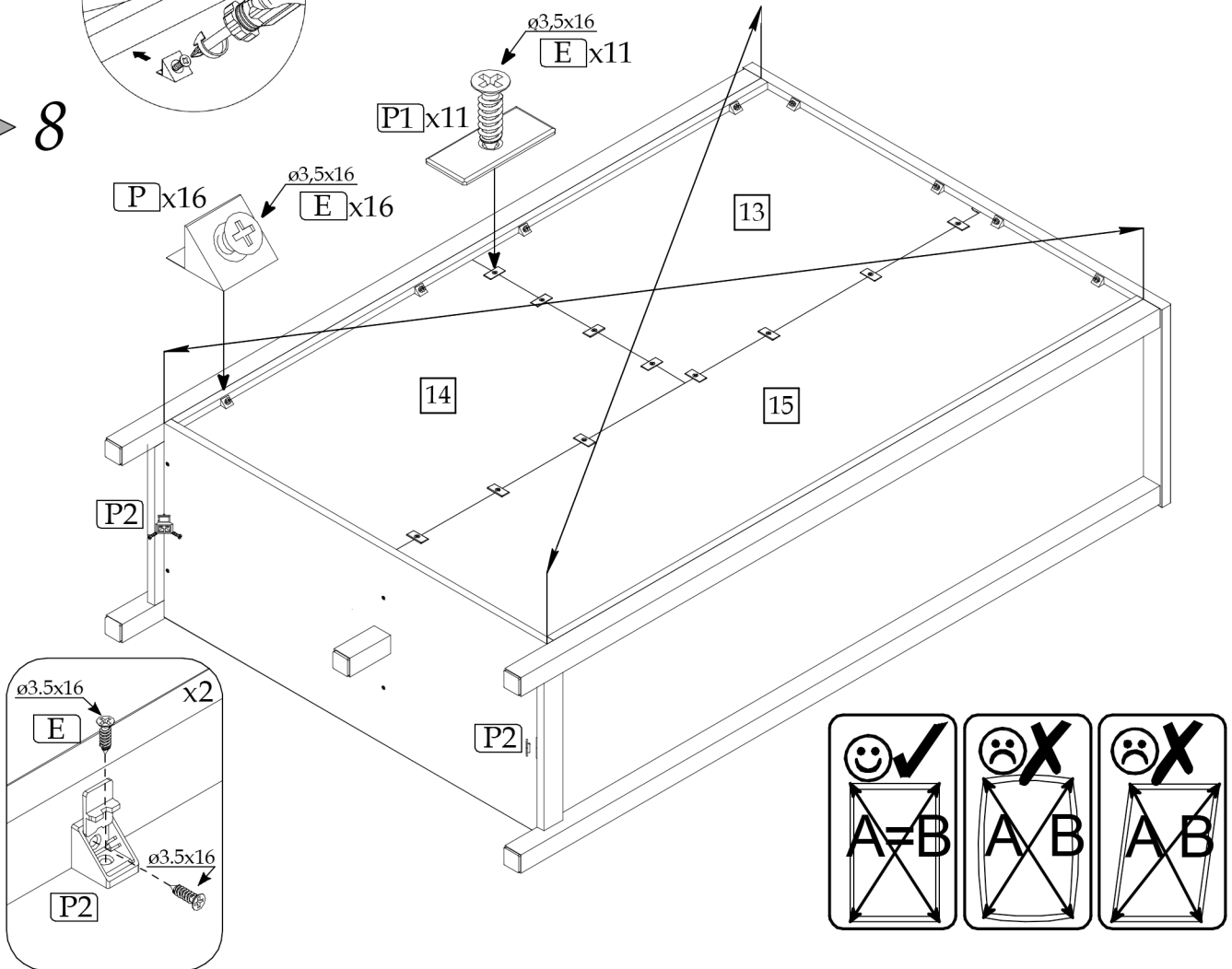
▶ 6



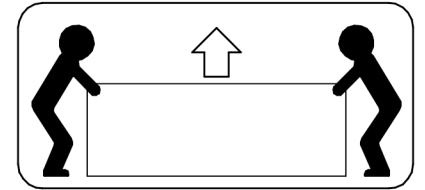
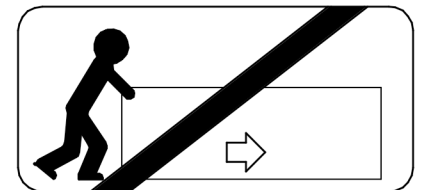
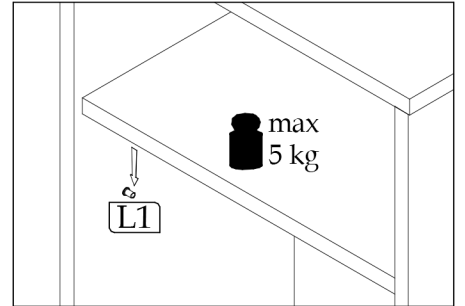
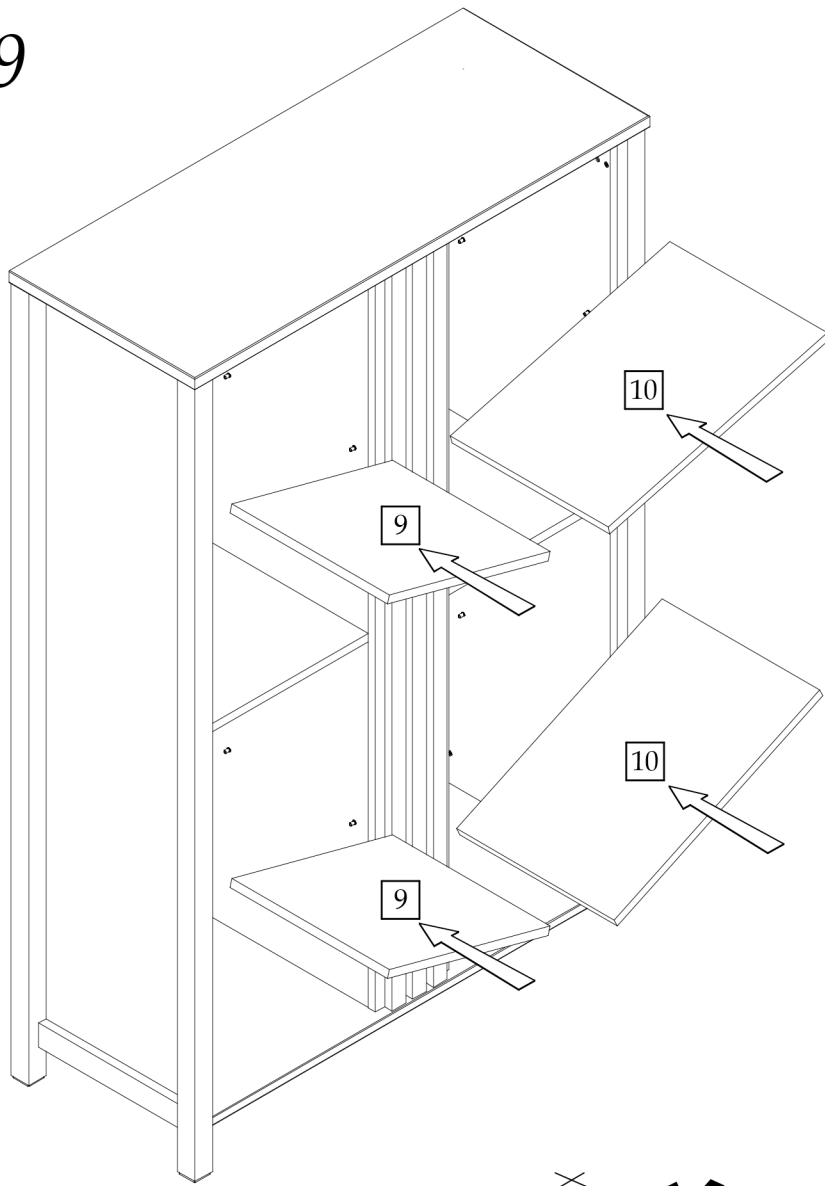
▶ 7



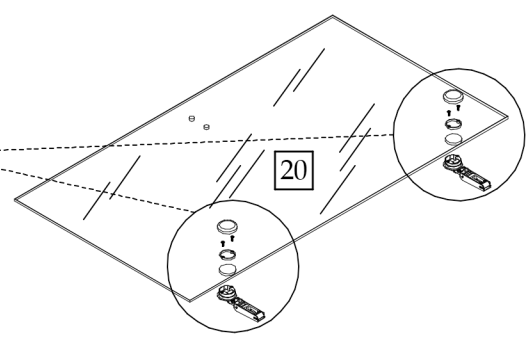
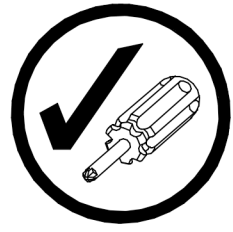
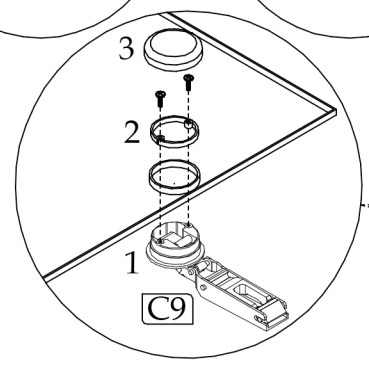
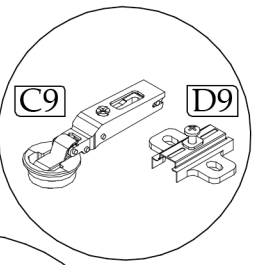
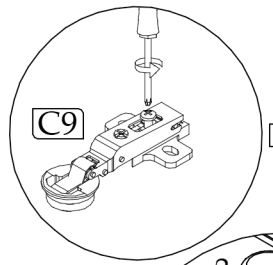
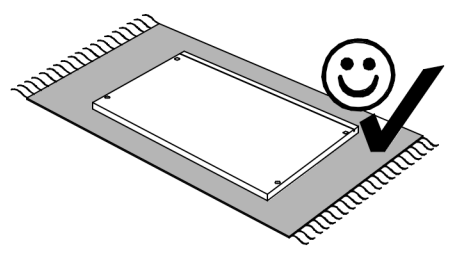
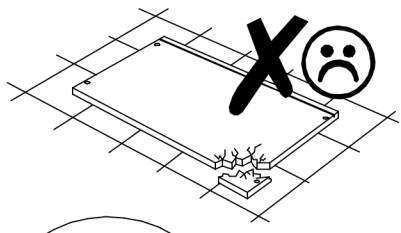
▶ 8



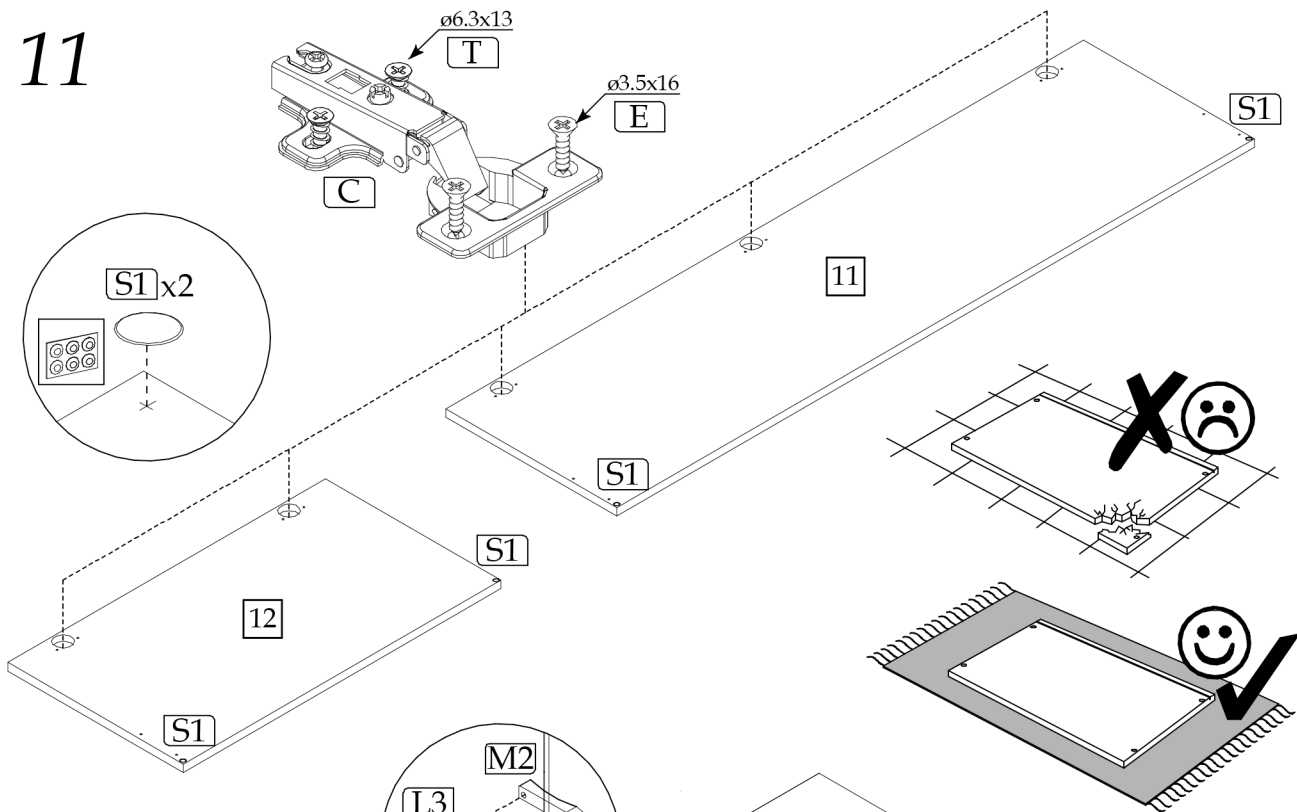
▶ 9



▶ 10



▶ 11



▶ 12

